



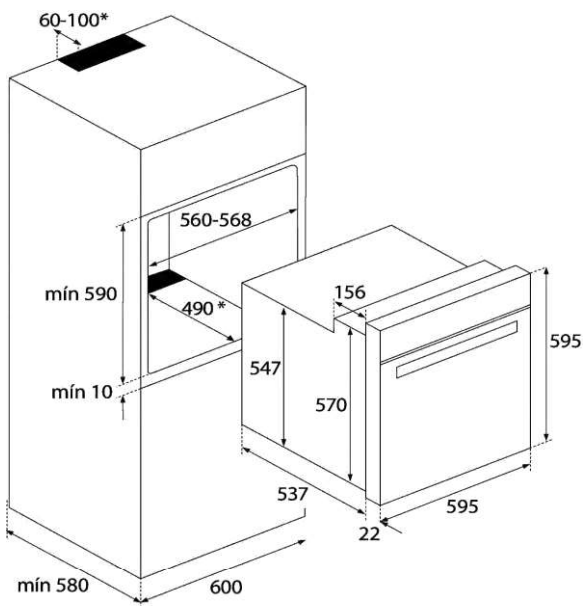
Features

- Hydroclean PRO
- Multifunction oven (turbo)
- 9 cooking functions
- Mechanical preheating
- Capacity gross/net: 71/70 litres
- Touch control programmer start stop
- Stainless steel fix knobs with black cover
- 3-glazed door with soft close
- Full glass inner door
- Chromed supports with 1 telescopic guide (easy slide)
- Cooling fan
- Drop down grill
- Children safety block option
- Deep tray, baking tray and reinforced cooking grid
- 150 cm connecting wire + plug

External dimensions

↑595 mm →595 mm ↗559 mm

Technical drawing



Color

Reference

EAN 13

- | Color | Reference | EAN 13 |
|-------|-----------|---------------|
| • SS | 41560290 | 8421152154526 |

Technical data

- | | |
|-----------------------------|-----------|
| • Energy Efficiency class | A+ |
| • Voltage | 220/240 V |
| • Frequency | 50/60 Hz |
| • Maximum connection rating | 3215 W |