

IR 9530




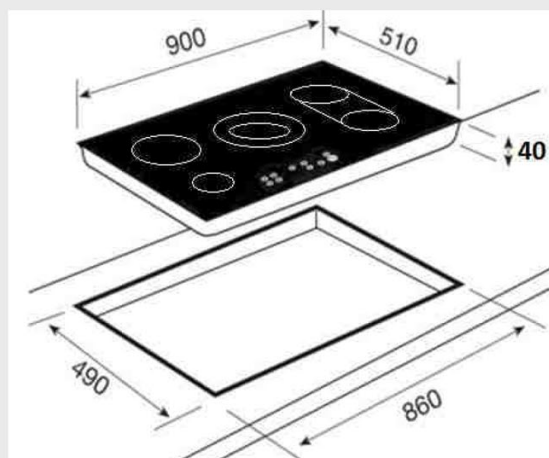
FEATURES

- Bevelled glass
- Touch control slider
- Pan optimization system
- Cooking time programmer (Independent programmer of each cooking zone)
- iQuick boiling function (Ø 280 mm zone)
- Synchro function
- Low-temp function
- STOP & GO function
- Power plus function
- Pan detector
- 5 cooking zones:
 - I₁ 1 induction Ø 145 mm
 - I₂ 2 induction Ø 180 mm
 - I₃ 1 induction Ø 210 mm
 - I₄ 1 induction Ø 190/300 mm
- Power function in all induction elements (I₁/1.800W – I₂/2.500W – I₃/3.200W I₄/3.700W)
- Residual heat indicators
- Total nominal power: 11.000 W
- Dimensions mm: 900 x 510

iQuick boiling Function

This innovative function is of an enormous help if you want to cook pasta, rice, eggs, or boil any kind of food. This function allows you to perform this cooking method "almost" automatically.

- 1 Push sensor . An A will appear on the plate indicator and the pilot (a) will turn on. In the timer for this plate, a moving segment will appear which indicates that the system has started to monitor cooking. 
- 2 When the system detects that it is about to boil, an **initial beep** will go off. Take this time to prepare the food you want to boil or cook.
- 3 After 30 seconds, a **second beep** will go off. If you haven't done it already, now is time to put the food into the pot.
- 4 After the second beep, the system will activate the timer as a chronometer so that you can control how long the food has been boiling.
- 5 A few seconds after the chronometer is activated, a **third beep** will go off indicating that, from this moment on, the system will reduce the energy supplied in order to maintain a gentle and steady boil. The chronometer will remain active until cooking has finished.



Code: 10210163

EAN: 8421152148334