

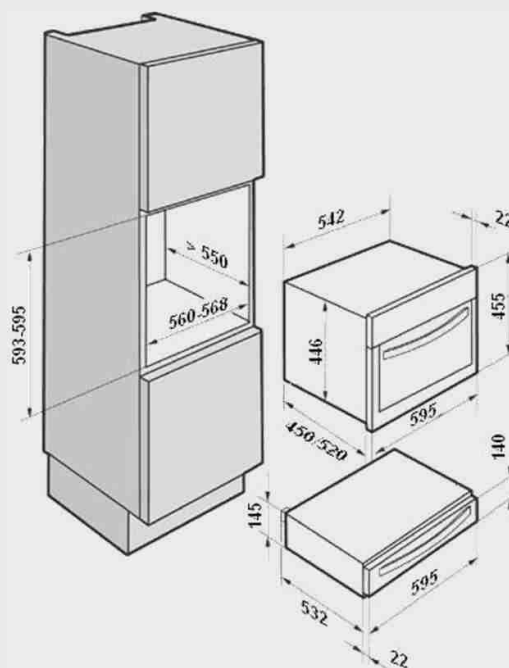
VACUUM SEALER

VS 152 GS



FEATURES

- Glass front with Fingerprint-proof Stainless Steel frame
- Maximum nominal power: 115 W
- 220-240V – 50Hz
- Push Pull System (w/o Handle)
- 2 compartments with cutter (aluminum foil/plastic film)
- Kitchen scale
- External Dimensions (H x W x D):
140 x 595 x 557 mm
- Built-in Niche Dimensions (H x W x D):
593-595 x 560-568 x 550
- To combine with Compact Ovens / Mwo (in a 60 cm niche):



TKI Description	Teka Code	EAN Code
VACUUM SEALER VS 152 GS	40589951	8421152145630

